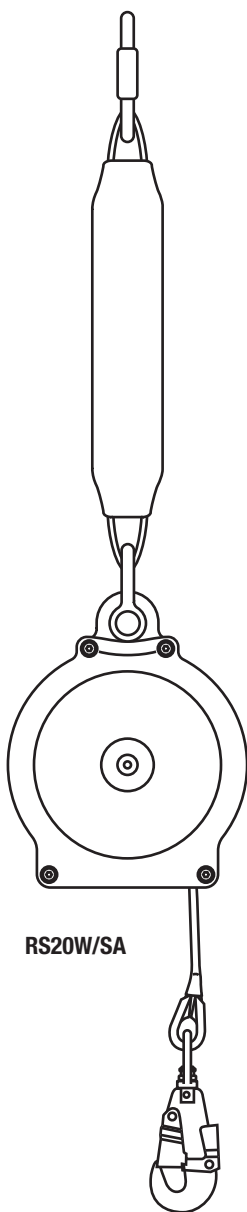


RS20W



RS20W/SA

The Blocfor® 20-ft. (6 m) self-retracting web lifeline provides freedom of movement to workers performing their job at various heights. This device performs a tethering function while allowing vertical movement to the maximum working length of 20 ft. (6 m). The Blocfor® 20 ft. (6 m) will arrest a fall by locking the drum when quick movement is experienced and is designed to minimize the fall distance and impact force.

For further information, refer to the “Use and Maintenance Instructions” for the Blocfor® 20-ft. (6 m) self-retracting web lifeline.

⚠ WARNING

A minimum of 5.25 ft. (1.6 m) safety clearance is required below the user’s feet (working surface).

Features

- Thermal plastic housing for excellent shock mitigation
- Ergonomic shape
- Inertia lock provides very fast stop
- Self-locking ¾-in. (19 mm) swivel hook

Applications

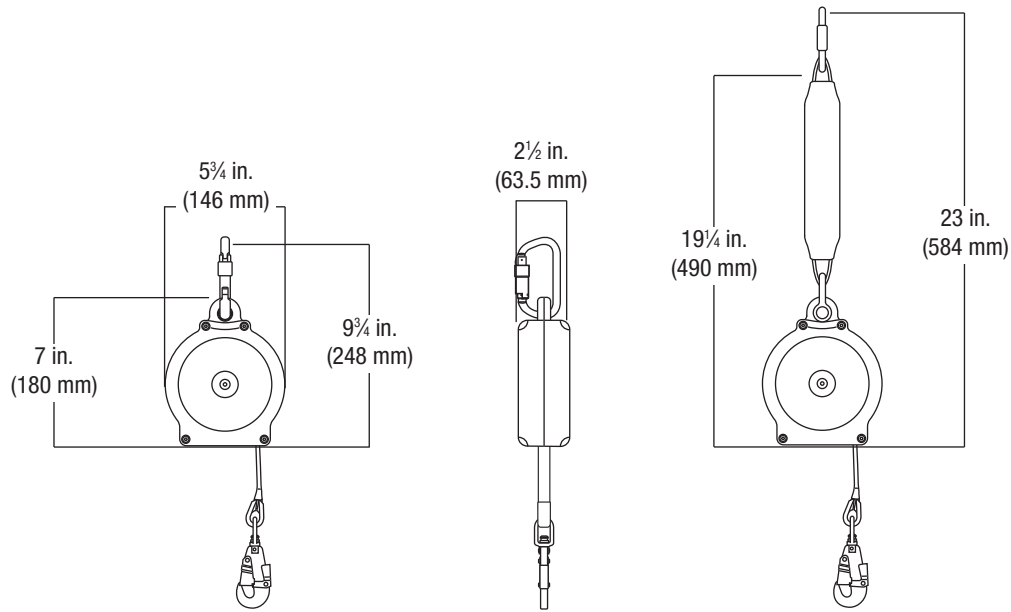
- Utilities
- Service and maintenance
- Ladder climbing
- Construction sites
- Any elevated work station

Applicable standards

- ANSI Z359.1-2007
- Meets and exceeds OSHA requirements

Available models

- RS20W 20-ft. (6 m) Blocfor® synthetic web self-retracting lifeline
- RS20W/SA 20-ft. (6 m) Blocfor® synthetic web self-retracting lifeline with shock absorber mounted above the self-retracting lifeline



PARTS	SPECIFICATIONS	APPLICABLE STANDARDS
Casing construction	Polyamide	
Webbing length	20 ft. (6 m)	
Blocfor® webbing	High tenacity polyester webbing with Kevlar core Width: 5/8 in. (16 mm) Thickness: 1/16 in. (1.4 mm) Tensile strength: 3,350 lbs. (15 kN)	ANSI Z359.1-2007 ANSI 10.32-2004
Tear webbing	Minimum tearing force: 500 lbs. (2.2 kN) Maximum impact force: 900 lbs. (4 kN) Maximum deployment length: 42 in. (1.1 m)	ANSI Z359.1-2007 ANSI 10.32-2004
Shock absorber webbing	High tenacity polyester Width: 1 1/8 in. (27 mm) Thickness: 5/16 in. (2 mm) Tensile strength: 5,700 lbs. (25.4 kN) Webbing is heat-cut to prevent fraying.	ANSI Z359.1-2007 ANSI 10.32-2004
Shock absorber protective cover	High tenacity polyester Width: 3/8 in. (85 mm) Tubular construction	
Swivel hook	Opening: 3/4 in. (19 mm) Minimum breaking strength: 5,000 lbs. (22.2 kN)	ANSI Z359.1-2007 ANSI 10.32-2004
Carabiner (PM11Z)	Opening: 5/8 in. (9.5 mm) Minimum breaking strength: 5,000 lbs. (22.2 kN)	ANSI Z359.1-2007 ANSI 10.32-2004
Shackle	Galvanized steel	
Maximum arresting force	Without shock absorber: 1,350 lbs. (6 kN) With shock absorber: 900 lbs. (4 kN)	
Maximum fall arrest distance	Without shock absorber: 24 in. (0.6 m) With shock absorber: 66 in. (1.6 m)	
Capacity	310 lbs. (140 kg), one person	ANSI Z359.1-2007